

# REAR MOUNTED OIL TANK

**MATERIAL : STEEL**

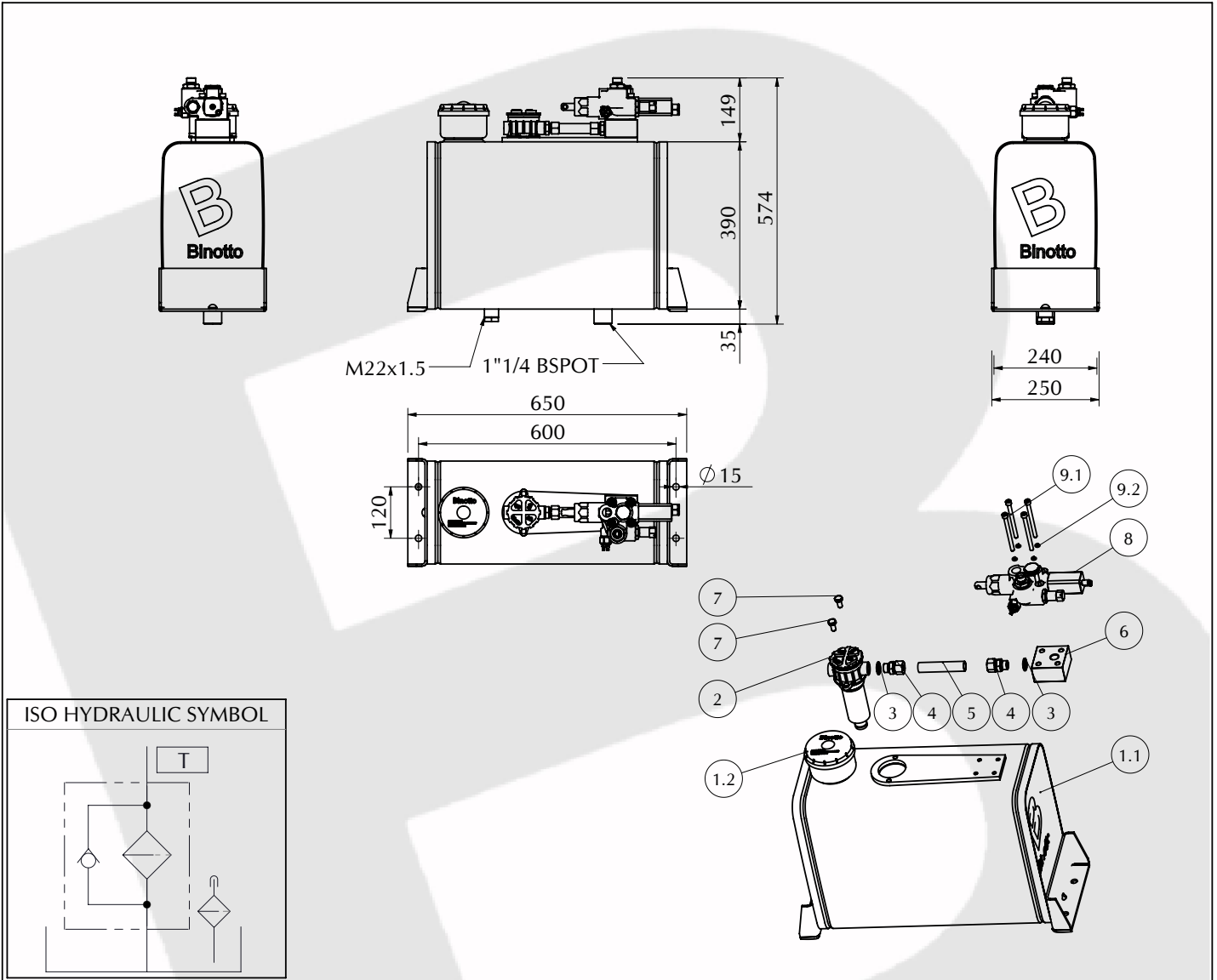
**CONFIGURATION : Tank ret. filter + Tip.Vlv. FP80 [V.DIR]**

TANK TYPE

**SERB#AOXBGXCEC**

Oil tank 240x390x560 VL040V2 Grey [FP080][V.DIR]

## Technical Characteristics



## Spare Parts List

N.	PART NUMBER	DENOMINATION	U.M.	Q.TY
1	LSBC#AOXBGXCEC	Oil tank 240x390x0560 VL040V2 [FP080] G. + TAP_0126	N.	1
1.1	LSB#AOXBGXCEC	Oil tank 240x390x0560 VL040V2 [FP080] G.	N.	1
1.2	TAP_0126	Air breather filter Pi 0126 MIC	N.	1
2	FLT_020-A25	Tank return filter MPT - flow 020 - A25	N.	1
3	ROB#D	Dowty washer 1/2" BSP	N.	2
4	TN#A6	Hose connection TN92 - 15 LR - 1/2" BSPOT	N.	2
5	TCL#C020110A	Steel pipe Ø15x1.5 x 110 White Zinc Plated	N.	1
6	PIAS_80-75-41-ALL-FP80	Alluminium plate 80x75x41 - F.Ø18-1/2" for valve FP/FM80	N.	1
7	VITE#TCM10A7B	Bolt M10 x 16 mm - UNI 5739 - Gr. 8.8	N.	2
8	DVT#L	Tipping Valve FP80-1/2"- CE V.DIR. - Pressure setting 180 bar	N.	1
9	KFDVT#008	Tipping valve mounting kit	N.	1
9.1	VITE#TOM08AKB	Bolt M8 x 100 - UNI 5931 - Gr 8,8	N.	4
9.2	ROG#08B	Washer - O.D. 14.4 x I.D. 8.4 x 2 mm - UNI 1751	N.	4

## BINOTTO SRL

BINOTTO IS CONSTANTLY ENGAGED IN IMPROVING ITS PRODUCTS AND THEREFORE RESERVES THE RIGHT TO MODIFY WITHOUT ANY NOTICE CHARACTERISTICS SHOWN

VIA DIVISIONE JULIA, 7/B - 36031 DUEVILLE [VI] ITALY • TEL. 0039.0444.593290 - FAX. 0039.0444.593357 • E-MAIL. INFO@BINOTTO.COM

Edit.: 01 ● 2008

Rev.: 00 ● 2004

Date: 19/02/2008

Page: AOXBGXCEC\_01