

REAR MOUNTED OIL TANK

MATERIAL : STEEL

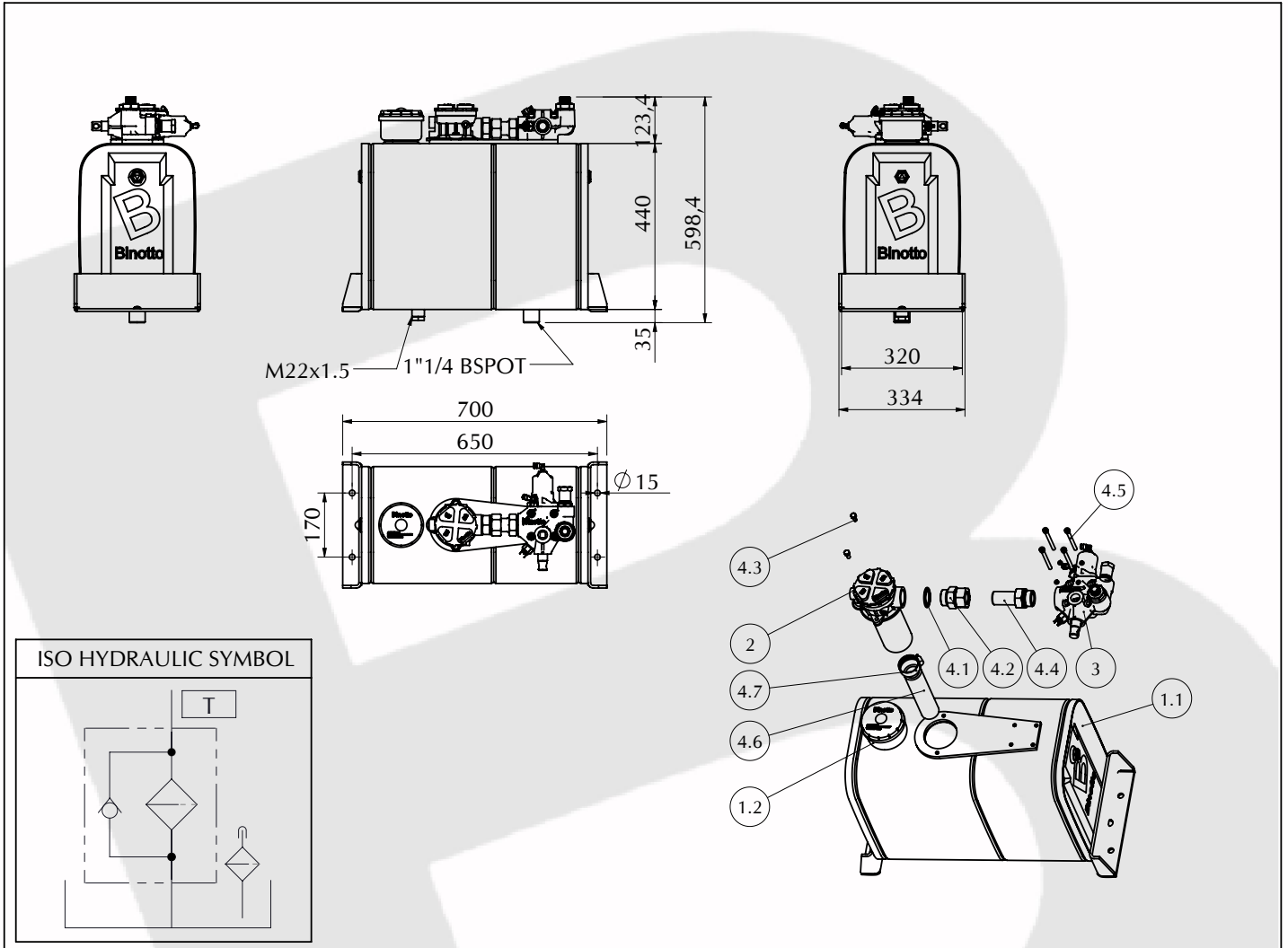
TANK TYPE

SERB_L#BAXBPXCGHC2

Oil tank 310x440x0600 VL062V2 Grey

CONFIGURATION : Tank ret. filter + Tipping Valve MD150 - 1"1/4_DIF [P.190]

Technical Characteristics



Spare Parts List

N.	PART NUMBER	DENOMINATION	U.M.	Q.TY
1	LSBC#BAXBPXCGH	Oil tank 310x440x0600 VL062/088V2 G. + TAP_0126	N.	1
1.1	LSB#BAXBPXCGH	Oil tank 310x440x0600 VL062/088V2 G.	N.	1
1.2	TAP_0126	Air breather filter Pi 0126 MIC	N.	1
2	FLT_100-A25	Tank return filter MPT - Flow 100 - A25	N.	1
3	DVT#T	Tipping Valve Mod.150-3/4"- CE V.DIF. - Pressure setting 190 bar	N.	1
4	KMSERB#100	Oil Tank - MPT100-A25 --> MD150-1"1/4 Mounting kit - [VL062/0888]	N.	1
4.1	ROB#G	Dowty washer 1"1/4 BSP	N.	1
4.2	TN#AI	Hose connection TN92 - 35 LR - 1"1/4 for valve MOD150	N.	1
4.3	KFFLT#003	Return Filter FLT_100-A25 mounting kit	N.	1
4.4	TN#ED	Hose connection TN 126-35 1"1/4 c/Oring [Spec]	N.	1
4.5	KFDVT#003	Tiping Valve mounting kit for MD150 1"1/4	N.	1
4.6	TG_Ø140V	Hose Ø140mm	N.	1
4.7	FAS#ZZ	Clamp Ø40 / Ø60 Art. 3081	N.	1

BINOTTO SRL

BINOTTO IS CONSTANTLY ENGAGED IN IMPROVING ITS PRODUCTS AND THEREFORE RESERVES THE RIGHT TO MODIFY WITHOUT ANY NOTICE CHARACTERISTICS SHOWN

VIA DIVISIONE JULIA, 7/B - 36031 DUEVILLE [VI] ITALY • TEL. 0039.0444.593290 - FAX. 0039.0444.593357 • E-MAIL. INFO@BINOTTO.COM

Edit.: 01 ● 2008

Rev.: 00 ● 2004

Date: 21/02/2008

Pag.: BAXBPXCGHC2_01