

# FRONT END CYLINDER

TYPE : MF-RO

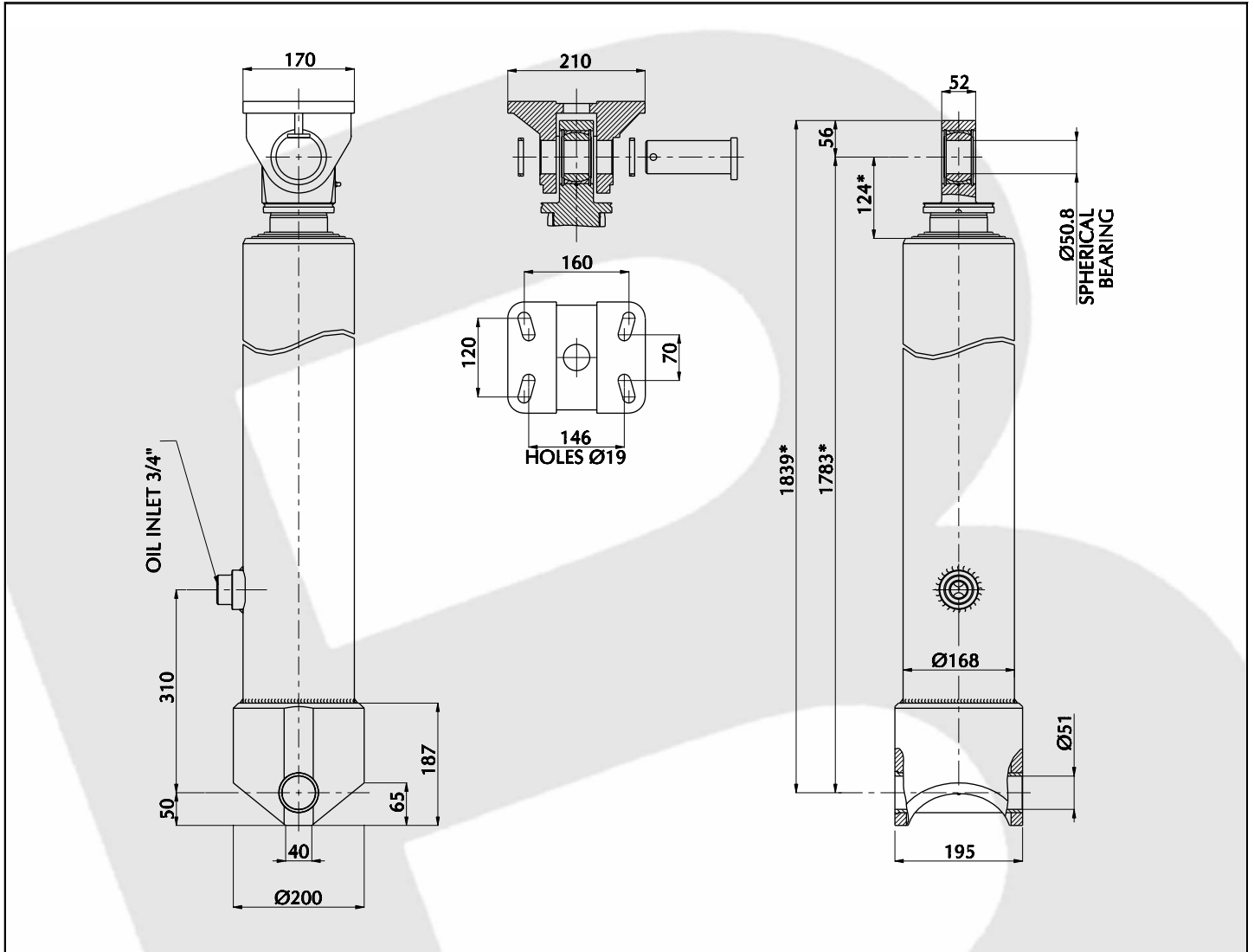
SERIE : Ø 145

CYL.TYPE

**MF 145.4.5300 RO - D.1783**

For Tipping Weight See Advices Below

## Technical Characteristics



### Cylinder stages

Ø Stage	Ø045	Ø060	Ø076	Ø092	Ø108	Ø069	Ø088	Ø107	Ø126	Ø145	Ø165	Ø167	Ø187	Ø210	Ø236	Ø265
Thrust at 200 Bar [Tons]	---	---	---	---	---	---	12.20	18.00	24.90	33.00	---	---	---	---	---	---
Stages of cylinder							●	●	●	●						

### Specifications

Stages number		<b>04</b>
Cylinder Stroke [ mm ]		<b>5300</b>
Cylinder weight only [ Kgs ]		<b>203</b>
Working volume [ Ltrs ]		<b>58.3</b>
Max Working pressure [ Bar ]		<b>200</b>

### Technical information

<input type="checkbox"/> Oil	: See oil specification sheet
<input type="checkbox"/> Tipping weight	: Net weight body + Payload
<input type="checkbox"/> Fitted centres [*]	: Closed centres plus 20 mm pull out

### Advices

All our cylinders are manufactured to suit the particular application in the differing world markets/climate. Should you require details of the exact lifting capacity of the cylinder that has been selected for your application/vehicle then please contact our technical department who will be only pleased to explain or advise.

### Brackets and Accessories

Lifting bracket	SSL#PFH	11.75 [Kgs] x 1 =

### Recommendation

<input type="checkbox"/> This Binotto cylinder is designed as a lifting device only
<input type="checkbox"/> It must not be used as a structural member or be subject to side loads
<input type="checkbox"/> Pump flow in consultation with Binotto engineering department

## BINOTTO SRL

BINOTTO IS CONSTANTLY ENGAGED IN IMPROVING ITS PRODUCTS AND THEREFORE RESERVES THE RIGHT TO MODIFY WITHOUT ANY NOTICE CHARACTERISTICS SHOWN  
VIA DIVISIONE JULIA, 7/B - 36031 DUEVILLE [VI] ITALY • TEL. 0039.0444.593290 - FAX. 0039.0444.593357 • E-MAIL. INFO@BINOTTO.COM

Edit.: 04 • 2006  
Rev.: 01 • 2006  
Date: 01.09.2006

Pag.: MF-RO 145.4.5300\_01