

# FRONT END CYLINDER

TYPE : MF-RO

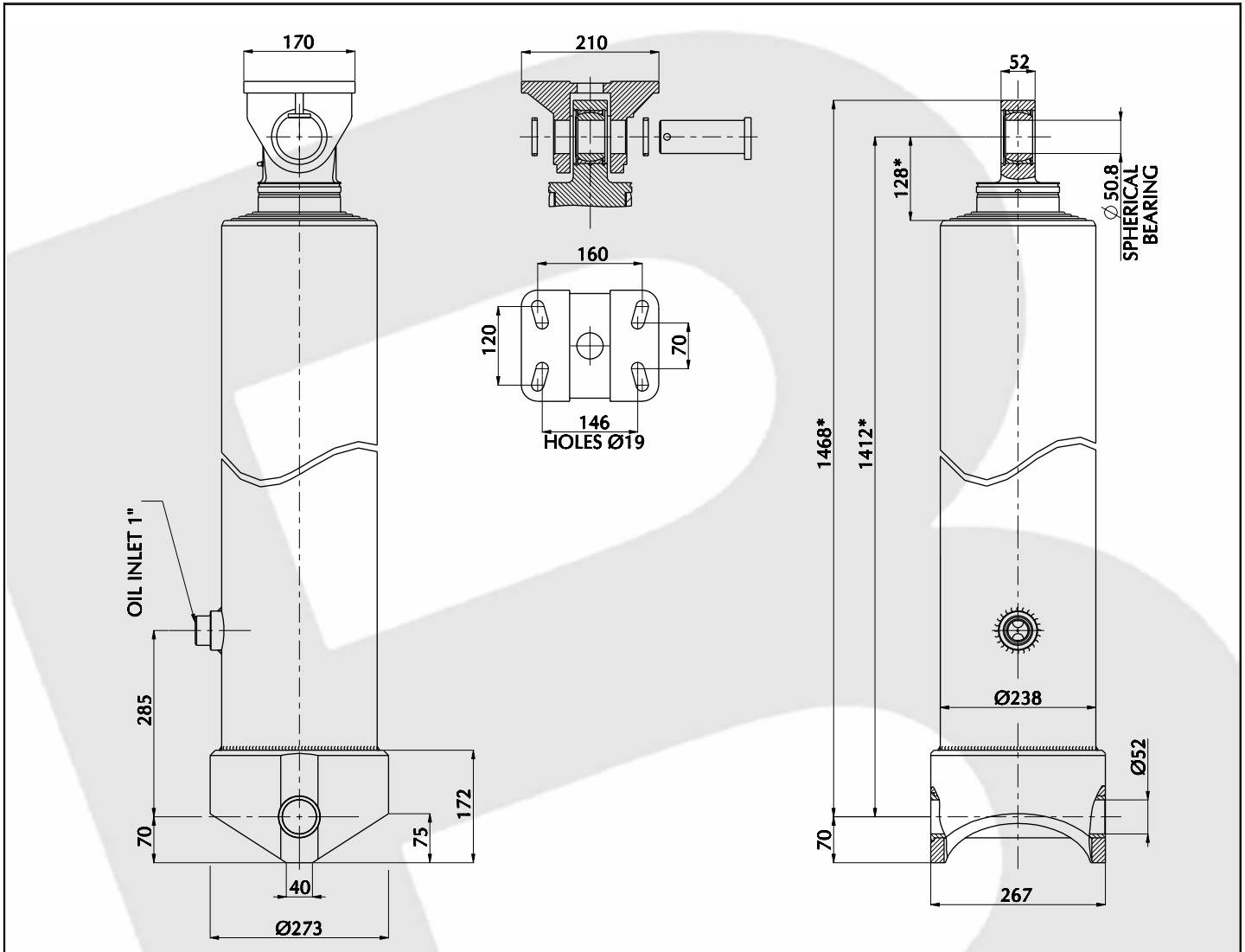
SERIE : Ø 210

CYL.TYPE

**MF 210.5.4925 RO - D.1412**

For Tipping Weight See Advices Below

## Technical Characteristics



### Cylinder stages

Ø Stage	Ø045	Ø060	Ø076	Ø092	Ø108	Ø069	Ø088	Ø107	Ø126	Ø145	Ø165	Ø167	Ø187	Ø210	Ø236	Ø265
Thrust at 170 Bar [Tons]	---	---	---	---	---	---	---	---	21.20	28.10	36.40	---	46.70	58.90	---	---
Stages of cylinder									●	●	●		●	●		

### Specifications

Stages number	05
Cylinder Stroke [ mm ]	4925
Cylinder weight only [ Kgs ]	322
Working volume [ Ltrs ]	110.8
Max Working pressure [ Bar ]	170

### Technical information

<input type="checkbox"/> Oil	: See oil specification sheet
<input type="checkbox"/> Tipping weight	: Net weight body + Payload
<input type="checkbox"/> Fitted centres [*]	: Closed centres plus 20 mm pull out

### Advices

All our cylinders are manufactured to suit the particular application in the differing world markets/climate. Should you require details of the exact lifting capacity of the cylinder that has been selected for your application/vehicle then please contact our technical department who will be only pleased to explain or advise.

### Brackets and Accessories

Lifting bracket	SSL#PFH	11.75 [ Kgs ] x 1 =

### Recommendation

<input type="checkbox"/> This Binotto cylinder is designed as a lifting device only
<input type="checkbox"/> It must not be used as a structural member or be subject to side loads
<input type="checkbox"/> Pump flow in consultation with Binotto engineering department

**BINOTTO SRL**

BINOTTO IS CONSTANTLY ENGAGED IN IMPROVING ITS PRODUCTS AND THEREFORE RESERVES THE RIGHT TO MODIFY WITHOUT ANY NOTICE CHARACTERISTICS SHOWN

VIA DIVISIONE JULIA, 7/B - 36031 DUEVILLE [VI] ITALY • TEL. 0039.0444.593290 - FAX. 0039.0444.593357 • E-MAIL. INFO@BINOTTO.COM

Edit.: 04 • 2006

Rev.: 01 • 2006

Date: 01.09.2006

Pag.: MF-RO 210.5.4925\_01