

# FRONT END CYLINDER

TYPE : MF-RP

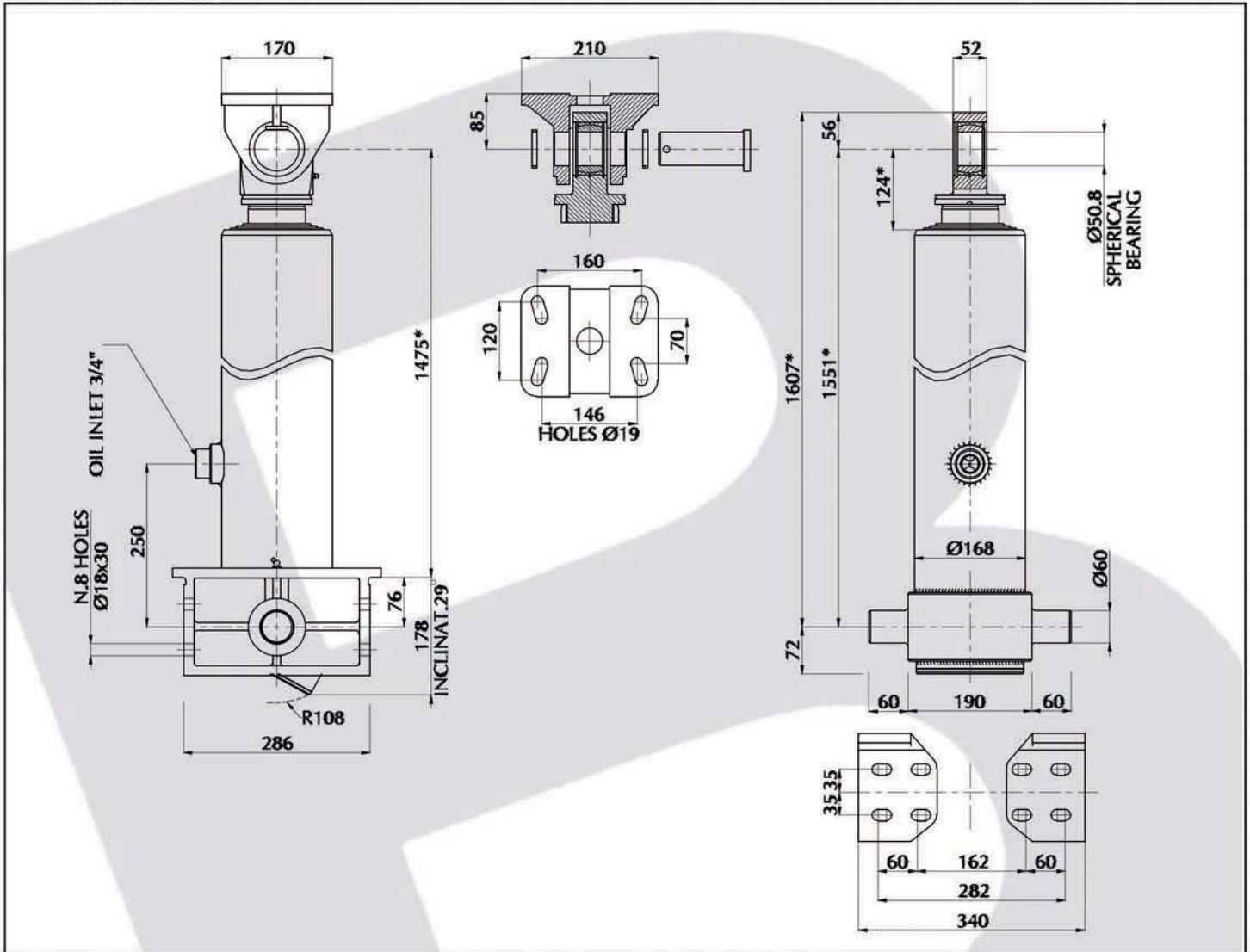
SERIE : Ø 145

CYL.TYPE

**MF 145.4.4900 RP - D.1551**

For Tipping Weight See Advices Below

## Technical Characteristics



### Cylinder stages

Ø Stage	Ø045	Ø060	Ø076	Ø092	Ø108	Ø069	Ø088	Ø107	Ø126	Ø145	Ø165	Ø167	Ø187	Ø210	Ø236	Ø265
Thrust at 200 Bar [Tons]	---	---	---	---	---	---	12.20	18.00	24.90	33.00	---	---	---	---	---	---
Stages of cylinder							●	●	●	●						

### Specifications

Stages number	<b>04</b>
Cylinder Stroke [ mm ]	<b>4900</b>
Cylinder weight only [ Kgs ]	<b>189</b>
Working volume [ Ltrs ]	<b>53.9</b>
Max Working pressure [ Bar ]	<b>200</b>

### Technical information

- Oil : See oil specification sheet
- Tipping weight : Net weight body + Payload
- Fitted centres [\*] : Closed centres plus 20 mm pull out

### Advices

All our cylinders are manufactured to suit the particular application in the differing world markets/climate. Should you require details of the exact lifting capacity of the cylinder that has been selected for your application/vehicle then please contact our technical department who will be only pleased to explain or advise.

### Brackets and Accessories

Chassis bracket [ 2 Units x cylinder]	<b>SIL#MHH</b>	<b>12.20 [ Kgs ] x 2 =</b>
Lifting bracket	<b>SSL#PFH</b>	<b>11.75 [ Kgs ] x 1 =</b>
Chassis brackets mounting kit	<b>KFSI#001</b>	

### Recommendation

- This Binotto cylinder is designed as a lifting device only
- It must not be used as a structural member or be subject to side loads
- Pump flow in consultation with Binotto engineering department

## BINOTTO SRL

BINOTTO IS CONSTANTLY ENGAGED IN IMPROVING ITS PRODUCTS AND THEREFORE RESERVES THE RIGHT TO MODIFY WITHOUT ANY NOTICE CHARACTERISTICS SHOWN

VIA DIVISIONE JULIA, 7/B - 36031 DUEVILLE [VI] ITALY • TEL. 0039.0444.593290 - FAX. 0039.0444.593357 • E-MAIL. INFO@BINOTTO.COM

Edit.: 04 • 2006

Rev.: 02 • 2009

Date: 20.07.2009

Pag.: MF-RP 145.4.4900\_03