

# HYDRAULIC PUMPS

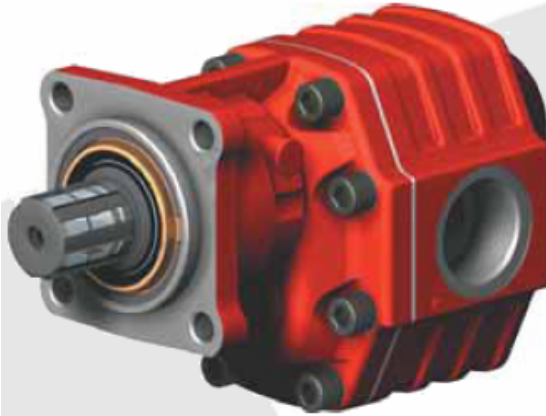
TYPE : GEAR PUMPS

PMP.TYPE

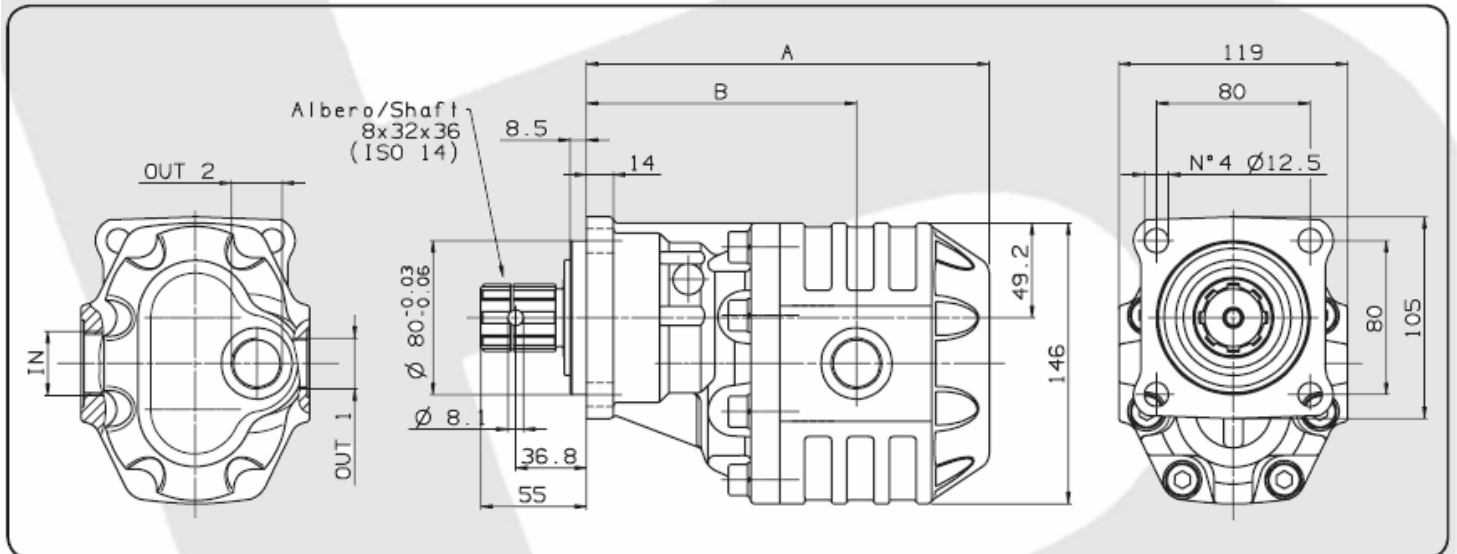
**NPH ISO**

4 Holes-ISO hydraulic gear pump

## Technical Characteristics



Fluido idraulico <i>Fluid</i>	Minerale o sintetico compatibile con guarnizioni: <i>Mineral or synthetic compatible with the following seals:</i> NBR, FKM, FPM, Nylon				
Viscosità cinematica consigliata <i>Kinematic viscosity suggested</i>	T media ambiente (°C) <i>Average ambient temp. (°C)</i>	< -10	-10 ÷ 10	10 ÷ 35	> 35
	VG (cSt = mm <sup>2</sup> /s)	22	32	46	68
Viscosità cinematica ottimale di esercizio <i>Optimale kinematic viscosity</i>			VG= 10 cSt ÷ 100 cSt		
Viscosità cinematica max consentita all'avviamento <i>Max kinematic viscosity suggested at the start-up</i>			VG= 750 cSt		
Indice di viscosità consigliato <i>Viscosity index suggested</i>			VI > 100		
Grado di filtrazione <i>Oil filtering</i>			> 200 bar: 10 µm < 200 bar: 25 µm		
Pressione di aspirazione <i>Inlet pressure</i>			-0,3 ÷ 2 bar		
Senso di rotazione <i>Pump rotation</i>			Unidirezionale (DX o SX) <i>Unidirectional (Right or Left)</i>		



Tipo pompa <i>Pump type</i>	Rotazione <i>Rotation</i>		IN	OUT 1	OUT 2	A	B	Peso <i>Weight</i>
	Destra <i>Right</i>	Sinistra <i>Left</i>						
NPH ISO 34	PMP#A2DI	PMP#A2SI	ISO 228	ISO 228	ISO 228	mm	mm	Kg
NPH ISO 51	PMP#A4DI	PMP#A4SI	G 3/4	G 3/4	G 3/4	179.5	125	13
NPH ISO 61	PMP#A5DI	PMP#A5SI				190.5	130.5	14
NPH ISO 73	PMP#A6DI	PMP#A6SI				196.5	136.5	14.5
NPH ISO 82	PMP#A7DI	PMP#A7SI				204.5	135.5	15
NPH ISO 100	PMP#A8DI	PMP#A8SI	G1 1/4	G 1	G 3/4	209.5	140.5	15.5
						226.5	154.5	15

**BINOTTO SRL**

BINOTTO IS CONSTANTLY ENGAGED IN IMPROVING ITS PRODUCTS AND THEREFORE RESERVES THE RIGHT TO MODIFY WITHOUT ANY NOTICE CHARACTERISTICS SHOWN

VIA DIVISIONE JULIA, 7/B - 36031 DUEVILLE [VI] ITALY • TEL. 0039.0444.593290 - FAX. 0039.0444.593357 • E-MAIL. INFO@BINOTTO.COM

Edit.: 04 • 2006

Rev.: 04 • 2007

Date: 01.04.2006

Pag.: NPH\_ISO.001

# HYDRAULIC PUMPS

TYPE : GEAR PUMPS

PMP.TYPE

NPH ISO

4 Holes-ISO hydraulic gear pump

## Technical Characteristics

### CARATTERISTICHE TECNICHE DI FUNZIONAMENTO

#### TECHNICAL FEATURES

Tipo pompa Pump type	Cilindrata Displacement  cm <sup>3</sup> /rev	Pressione Pressure			Velocità max. continua Max. continuous speed rpm	Velocità max. intermittente Max. intermittent speed rpm	Velocità min. Min. speed rpm
		P1 bar	P2 bar	P3 bar			
NPH ISO 34	33.88	280	300	310	2200	2800	300
NPH ISO 51	50.82	240	260	280	2000	2500	
NPH ISO 61	60.06	220	240	250	1800	2000	
NPH ISO 73	72.88	200	220	230	1600	1800	
NPH ISO 82	81.08	190	210	220	1500		
NPH ISO 100	98.18	180	200	220			

P1=Pressione max. continua  
P2=Pressione max. intermittente  
P3=Pressione max. di punta

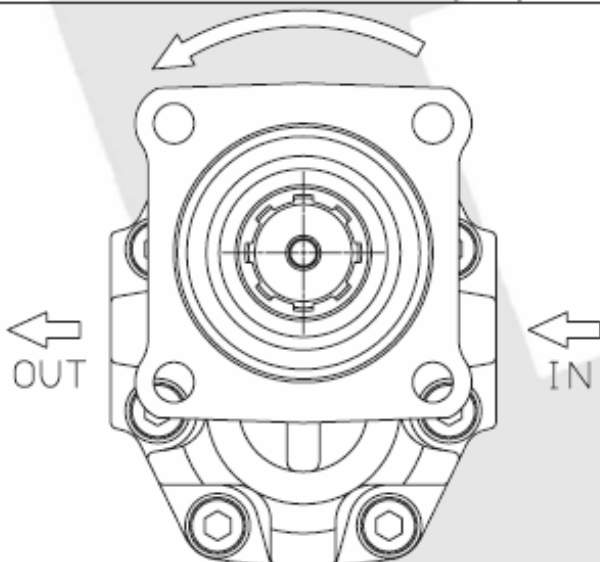
Max. continuous pressure  
Max. intermittent pressure  
Max. peak pressure

(100%)  
(20 sec.max.)  
(6 sec.max.)

### SENSO DI ROTAZIONE POMPA:

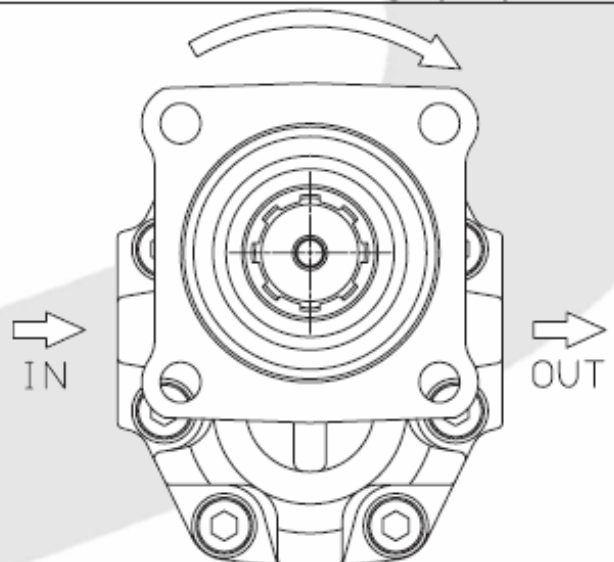
#### DIRECTION OF ROTATION:

**Rotazione antioraria, pompa sinistra**  
Anti-clockwise rotation, left pump



Vista FRONTALE  
FRONT

**Rotazione oraria, pompa destra**  
Clockwise rotation, right pump



Vista FRONTALE  
FRONT

## BINOTTO SRL

BINOTTO IS CONSTANTLY ENGAGED IN IMPROVING ITS PRODUCTS AND THEREFORE RESERVES THE RIGHT TO MODIFY WITHOUT ANY NOTICE CHARACTERISTICS SHOWN

VIA DIVISIONE JULIA, 7/B - 36031 DUEVILLE [VI] ITALY • TEL. 0039.0444.593290 - FAX. 0039.0444.593357 • E-MAIL. INFO@BINOTTO.COM

Edit.: 04 • 2006  
Rev.: 04 • 2007  
Date: 01.04.2006

Pag.: NPH\_ISO.002