

# SIDE MOUNTED OIL TANK

**MATERIAL : STEEL**

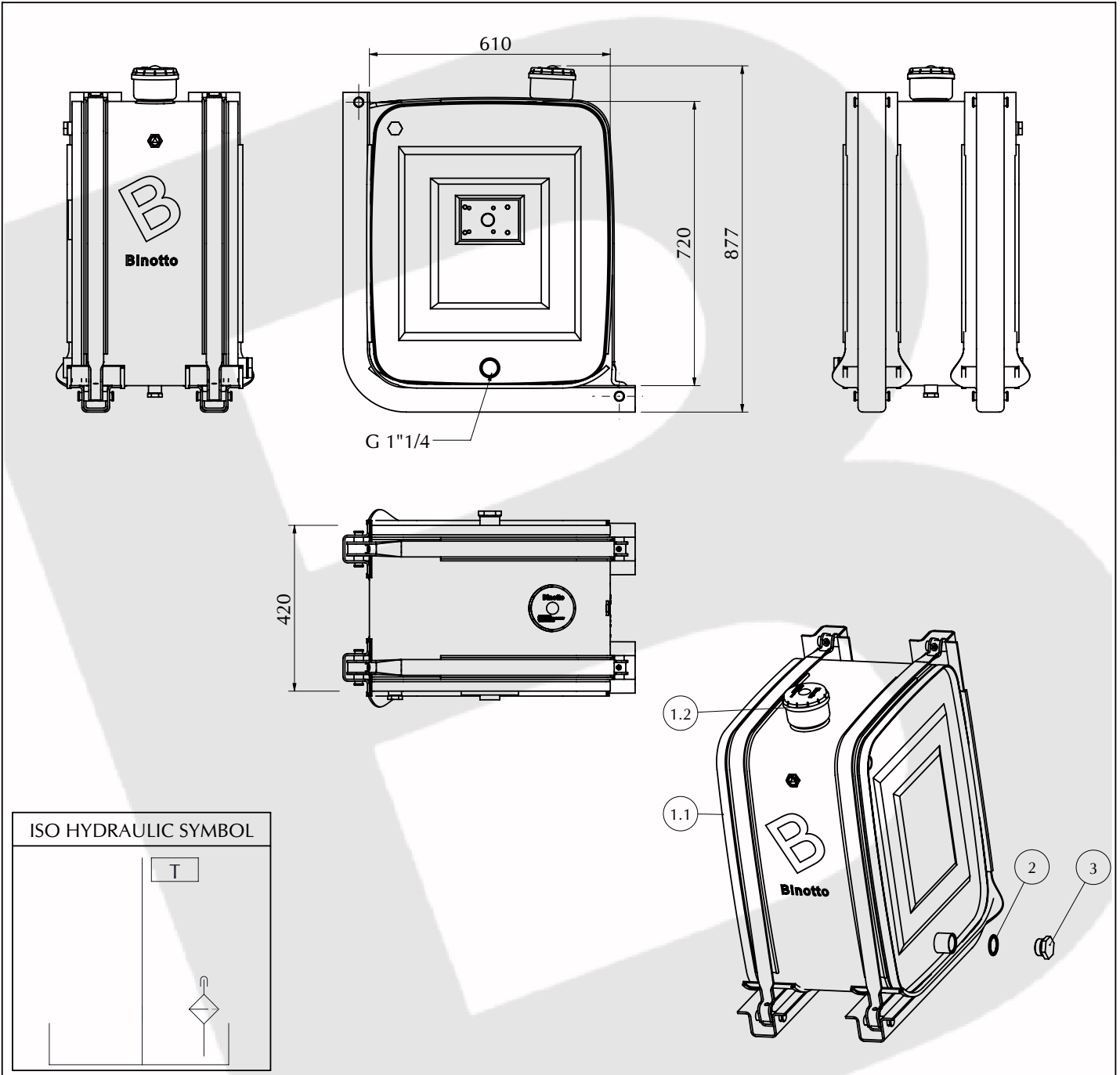
**CONFIGURATION :**

TANK TYPE

**SERB#CHXCRXBIH**

Oil tank 610x720x0420 VL160V1 Grey [MD150/250]+STF.[SMS][ACC]

## Technical Characteristics



## Spare Parts List

N.	PART NUMBER	DENOMINATION	U.M.	Q.TY
1	LSBC#CHXCRXBIH	Oil tank 610x720x0420 VL160V1 Grey [MD150/250] + STF.[SMS][ACC] + Tap_0126	N.	1
1.1	LSB#CHXCRXBIH	Oil tank 610x720x0420 VL160V1 Grey [MD150/250] + STF.[SMS][ACC]	N.	1
1.2	TAP_0126	Air breather filter Pi 0126 MIC	N.	1
2	ROB#G	Dowty washer 1"1/4 BSP	N.	1
3	TAPE#AE	Plug 1"1/4 BSPOT	N.	1

## BINOTTO SRL

BINOTTO IS CONSTANTLY ENGAGED IN IMPROVING ITS PRODUCTS AND THEREFORE RESERVES THE RIGHT TO MODIFY WITHOUT ANY NOTICE CHARACTERISTICS SHOWN

VIA DIVISIONE JULIA, 7/B - 36031 DUEVILLE [VI] ITALY • TEL. 0039.0444.593290 - FAX. 0039.0444.593357 • E-MAIL. INFO@BINOTTO.COM

Edit.: 01 ● 2008

Rev.: 00 ● 2004

Date: 21/02/2008

Pag.: CHXCRXBIH\_01