

SIDE MOUNTED OIL TANK

MATERIAL : STEEL

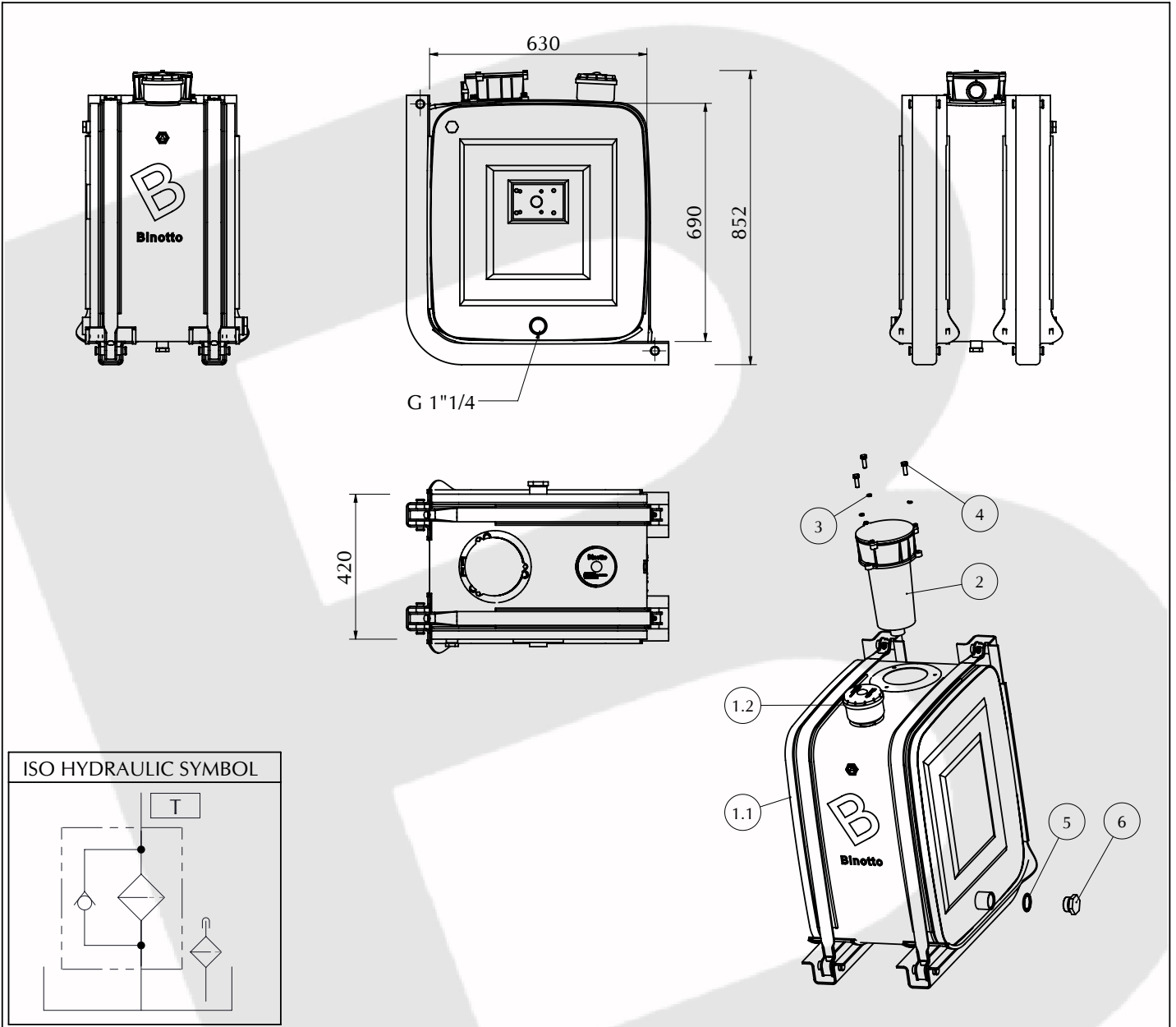
CONFIGURATION : Tank ret. filter

TANK TYPE

SERB#CLXCPXBIU

Oil tank 630x690x0420 VL160V1 Grey
[MD150/250]+STF.+FLT.[MPF180]

Technical Characteristics



Spare Parts List

N.	PART NUMBER	DENOMINATION	U.M.	Q.TY
1	LSBC#CLXCPXBIU	Oil tank 630x690x0420 VL160V1 Grey [MD150/250] +STF.+TAP_0126	N.	1
1.1	LSB#CLXCPXBIU	Oil tank 630x690x0420 VL160V1 Grey [MD150/250] +STF.	N.	1
1.2	TAP_0126	Air breather filter Pi 0126 MIC	N.	1
2	FLT_MPF180-A25	Return filter MPF - Serie 180 - A25 - Lg.1 - [Flow.300]	N.	1
3	ROG#10B	Washer - O.D. 17 x I.D. 10.5 x 2.2 mm - UNI 1751	N.	3
4	VITE#TCM10ABB	Bolt M10 x 30 mm - UNI 5739 - Gr. 8.8	N.	3
5	ROB#G	Dowty washer 1"1/4 BSP	N.	1
6	TAPE#AE	Plug 1"1/4 BSPOT	N.	1

BINOTTO SRL

BINOTTO IS CONSTANTLY ENGAGED IN IMPROVING ITS PRODUCTS AND THEREFORE RESERVES THE RIGHT TO MODIFY WITHOUT ANY NOTICE CHARACTERISTICS SHOWN

VIA DIVISIONE JULIA, 7/B - 36031 DUEVILLE [VI] ITALY • TEL. 0039.0444.593290 - FAX. 0039.0444.593357 • E-MAIL. INFO@BINOTTO.COM

Edit.: 01 ● 2008

Rev.: 00 ● 2004

Date: 21/02/2008

Pag.: CLXCPXBIU_01