

SIDE MOUNTED OIL TANK

MATERIAL : STEEL

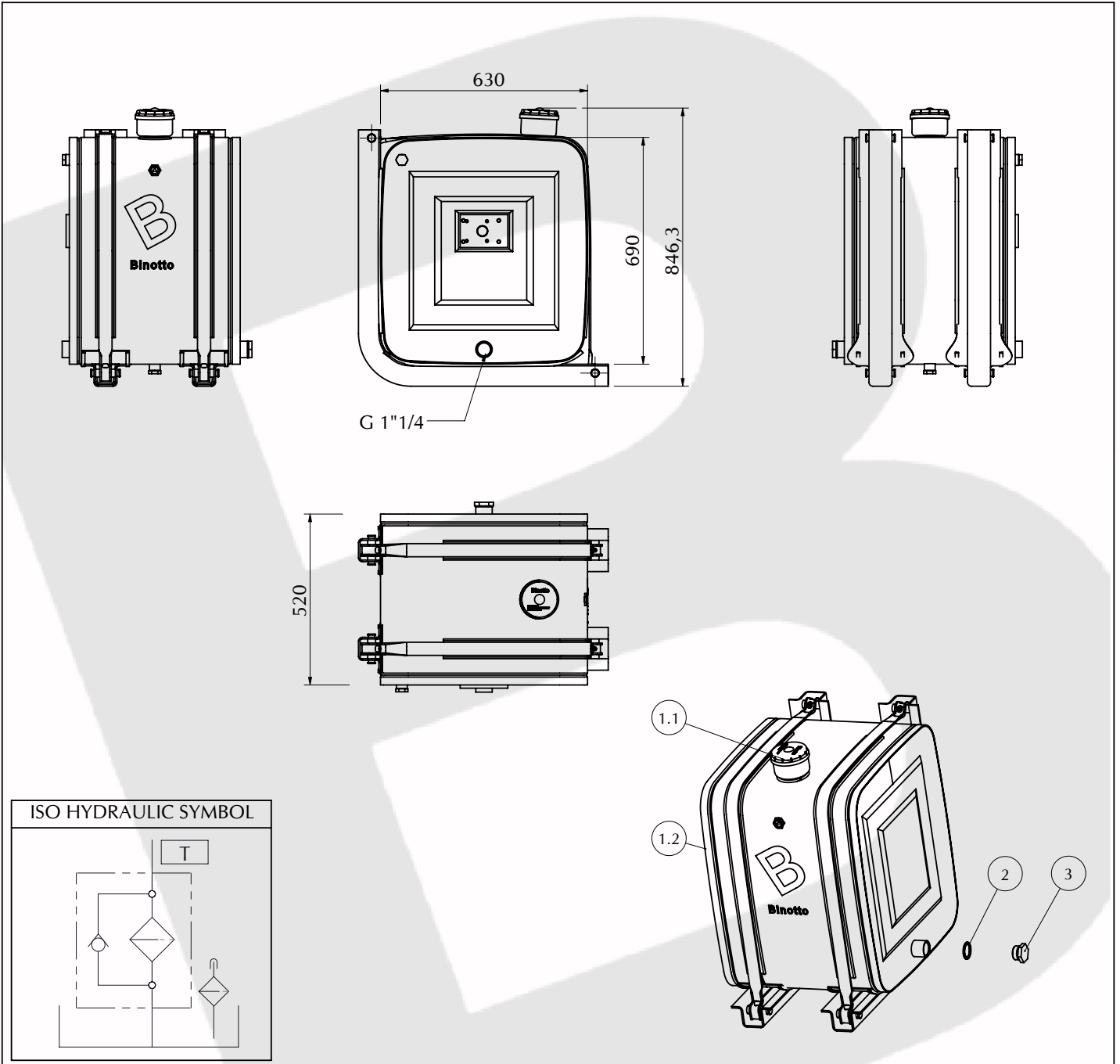
CONFIGURATION :

TANK TYPE

SERB#CLXCPXCAC

Oil tank 630x690x0520 VL200V1 Red [MD150/250]+STF.

Technical Characteristics



Spare Parts List

N.	PART NUMBER	DENOMINATION	U.M.	Q.TY
1	LSBC#CLXCPXCAC	Oil tank 630x690x0520 VL200V1 Red [MD150/250] +STF.+TAP_0126	N.	1
1.1	TAP_0126	Air breather filter Pi 0126 MIC	N.	1
1.2	LSB#CLXCPXCAC	Oil tank 630x690x0520 VL200V1 Red [MD150/250] +STF.	N.	1
2	ROB#G	Dowty washer 1"1/4 BSP	N.	1
3	TAPE#AE	Plug 1"1/4 BSPOT	N.	1

BINOTTO SRL

BINOTTO IS CONSTANTLY ENGAGED IN IMPROVING ITS PRODUCTS AND THEREFORE RESERVES THE RIGHT TO MODIFY WITHOUT ANY NOTICE CHARACTERISTICS SHOWN

VIA DIVISIONE JULIA, 7/B - 36031 DUEVILLE [VI] ITALY • TEL. 0039.0444.593290 - FAX. 0039.0444.593357 • E-MAIL. INFO@BINOTTO.COM

Edit.: 01 • 2008

Rev.: 00 • 2004

Date: 21/02/2008

Pag.: CLXCPXCAC_01