

HYDRAULIC PUMPS

TYPE : GEAR PUMPS

PMP.TYPE

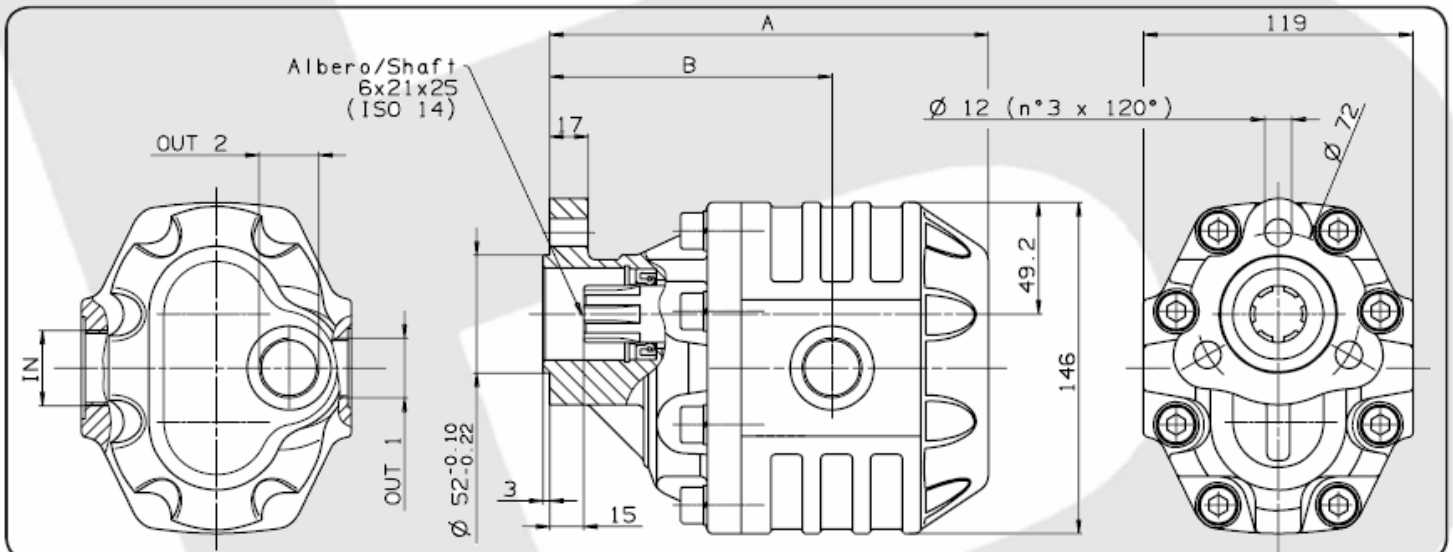
NPH UNI

3 Holes-UNI hydraulic gear pump

Technical Characteristics



Fluido idraulico <i>Fluid</i>	Minerale o sintetico compatibile con guarnizioni: <i>Mineral or synthetic compatible with the following seals:</i> NBR, FKM, FPM, Nylon				
Viscosità cinematica consigliata <i>Kinematic viscosity suggested</i>	T media ambiente (°C) <i>Average ambient temp. (°C)</i>	< -10	-10 ÷ 10	10 ÷ 35	> 35
	VG (cSt = mm ² /s)	22	32	46	68
Viscosità cinematica ottimale di esercizio <i>Optimale kinematic viscosity</i>			VG= 10 cSt ÷ 100 cSt		
Viscosità cinematica max consentita all'avviamento <i>Max kinematic viscosity suggested at the start-up</i>			VG= 750 cSt		
Indice di viscosità consigliato <i>Viscosity index suggested</i>			VI > 100		
Grado di filtrazione <i>Oil filtering</i>			> 200 bar: 10 µm < 200 bar: 25 µm		
Pressione di aspirazione <i>Inlet pressure</i>			-0,3 ÷ 2 bar		
Senso di rotazione <i>Pump rotation</i>			Unidirezionale (DX o SX) <i>Unidirectional (Right or Left)</i>		



Tipo pompa <i>Pump type</i>	Rotazione <i>Rotation</i>		IN	OUT 1	OUT 2	A	B	Peso <i>Weight</i>
	Destra <i>Right</i>	Sinistra <i>Left</i>						
NPH UNI 34	PMP#A2DU	PMP#A2SU	ISO 228	ISO 228	ISO 228	mm	mm	Kg
NPH UNI 51	PMP#A4DU	PMP#A4SU	G 3/4	G 3/4	G 3/4	163.5	109	10.5
NPH UNI 61	PMP#A5DU	PMP#A5SU				174.5	114.5	11.5
NPH UNI 73	PMP#A6DU	PMP#A6SU				180.5	120.5	12
NPH UNI 82	PMP#A7DU	PMP#A7SU				188.5	119.5	12.5
NPH UNI 100	PMP#A8DU	PMP#A8SU	G1 1/4	G 1	G 3/4	193.5	124.5	13
						210.5	138.5	14

BINOTTO SRL

BINOTTO IS CONSTANTLY ENGAGED IN IMPROVING ITS PRODUCTS AND THEREFORE RESERVES THE RIGHT TO MODIFY WITHOUT ANY NOTICE CHARACTERISTICS SHOWN

VIA DIVISIONE JULIA, 7/B - 36031 DUEVILLE (VI) ITALY • TEL. 0039.0444.593290 - FAX. 0039.0444.593357 • E-MAIL. INFO@BINOTTO.COM

Edit.: 04 • 2006

Rev.: 04 • 2007

Date: 01.04.2006

Pag.: NPH_UNI.001

HYDRAULIC PUMPS

TYPE : GEAR PUMPS

PMP.TYPE

NPH UNI

3 Holes-UNI hydraulic gear pump

Technical Characteristics

CARATTERISTICHE TECNICHE DI FUNZIONAMENTO

TECHNICAL FEATURES

Tipo pompa Pump type	Cilindrata Displacement cm ³ /rev	Pressione Pressure			Velocità max. continua Max. continuous speed rpm	Velocità max. intermittente Max. intermittent speed rpm	Velocità min. Min. speed rpm
		P1 bar	P2 bar	P3 bar			
NPH UNI 34	33.88	280	300	310	2200	2800	300
NPH UNI 51	50.82	240	260	280	2000	2500	
NPH UNI 61	60.06	220	240	250	1800	2000	
NPH UNI 73	72.88	200	220	230	1600	1800	
NPH UNI 82	81.08	190	210	220	1500		
NPH UNI 100	98.18	180	200	220			

P1=Pressione max. continua
P2=Pressione max. intermittente
P3=Pressione max. di punta

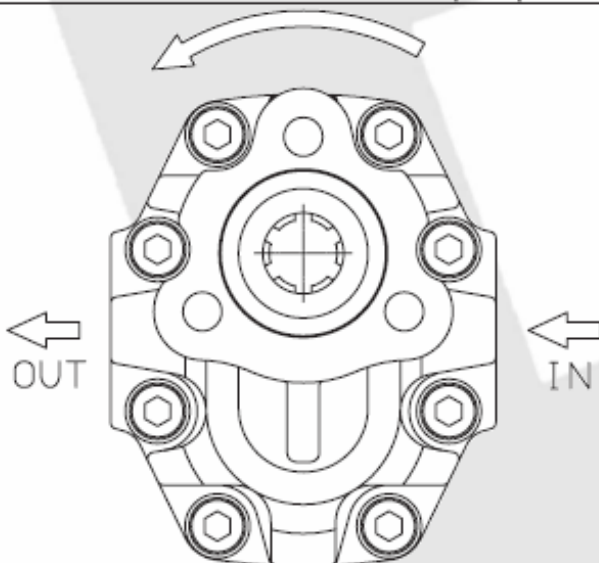
Max. continuous pressure
Max. Intermittent pressure
Max. peak pressure

(100%)
(20 sec.max.)
(6 sec.max.)

SENSO DI ROTAZIONE POMPA:

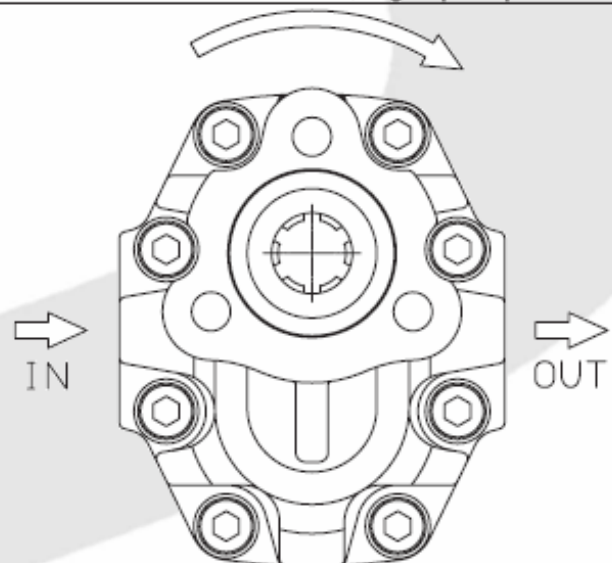
DIRECTION OF ROTATION:

Rotazione antioraria, pompa sinistra
Anti-clockwise rotation, left pump



Vista FRONTALE
FRONT

Rotazione oraria, pompa destra
Clockwise rotation, right pump



Vista FRONTALE
FRONT

BINOTTO SRL

BINOTTO IS CONSTANTLY ENGAGED IN IMPROVING ITS PRODUCTS AND THEREFORE RESERVES THE RIGHT TO MODIFY WITHOUT ANY NOTICE CHARACTERISTICS SHOWN

VIA DIVISIONE JULIA, 7/B - 36031 DUEVILLE (VI) ITALY • TEL. 0039.0444.593290 - FAX. 0039.0444.593357 • E-MAIL. INFO@BINOTTO.COM

Edit.: 04 • 2006
Rev.: 04 • 2007
Date: 01.04.2006

Pag.: NPH_UNI.002