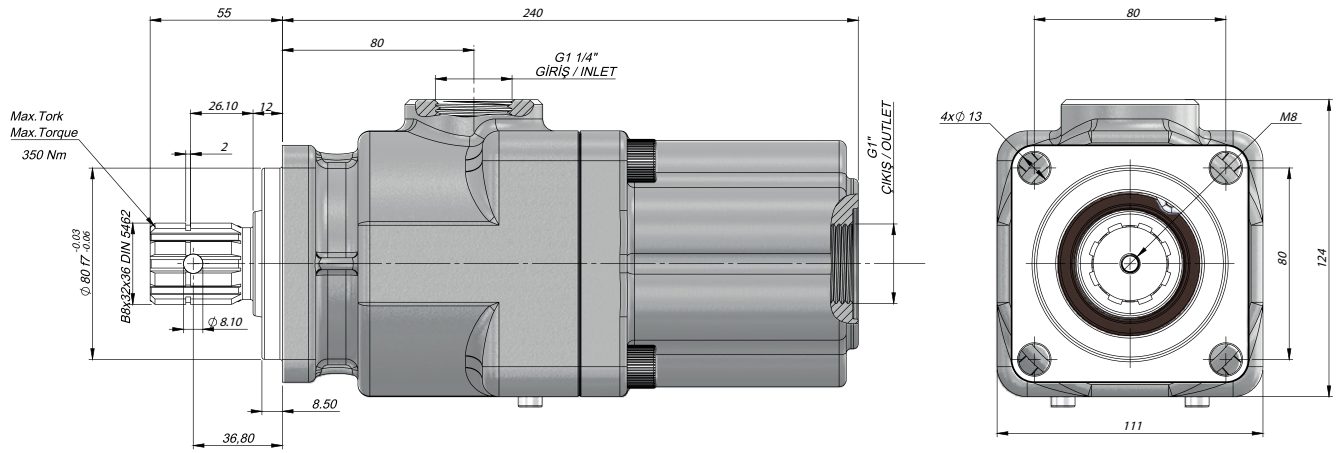




PISTON  
PUMP



Kod Code	İletim Hacmi Displacement (cm <sup>3</sup> /rev)	Maks.Sürekli Basınç Max.Continuous Pressure (100%)(BAR)	Min. Hız Min.Speed (RPM)	Maks.Sürekli Hız Max.Continuous Speed (RPM)
P0820SF131	20	350	300	1800
P0826SF131	26			
P0834SF131	34			
P0842SF131	42			
P0846SF131	46			
P0852SF131	52			
P0855SF131	55	300	1500	
P0860SF131	60			