

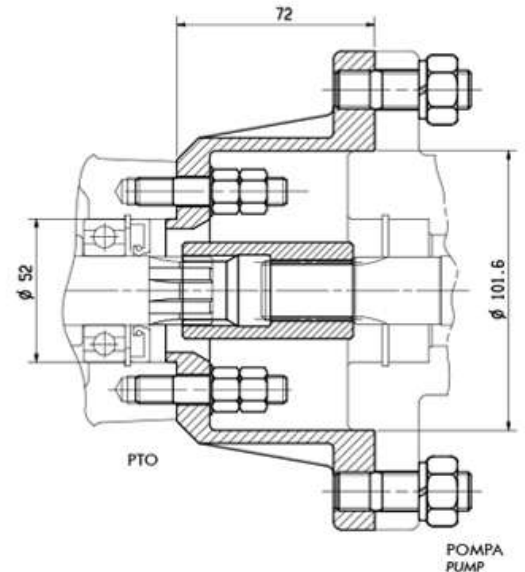
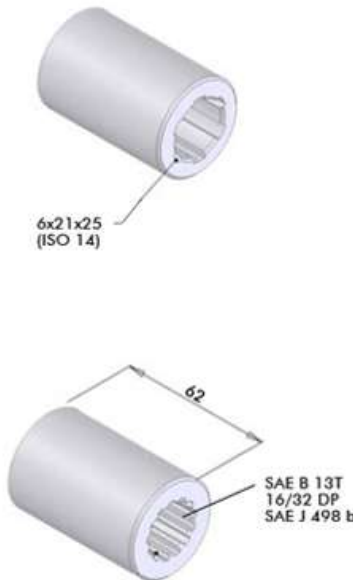
Переходник с насоса UNI на насос SAE A

114-000-00151

Applicazione PTO UNI / POMPA SAE B - *Adaptor UNI PTO / SAE B PUMP*



Coppia teorica trasmissibile
 Theoretical transmitted torque
250 Nm

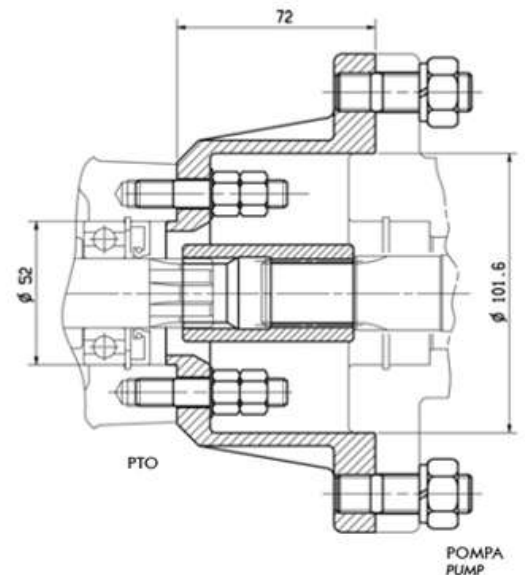
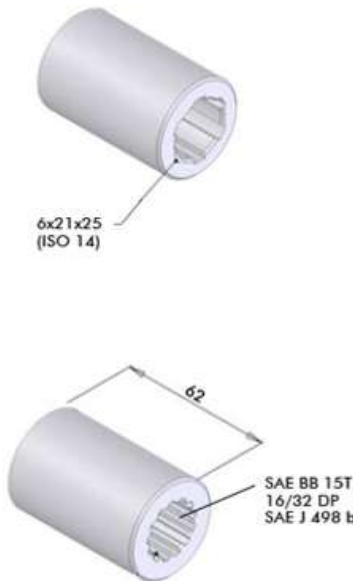


114-000-11603

Applicazione PTO UNI / POMPA SAE BB - *Adaptor UNI PTO / SAE BB PUMP*



Coppia teorica trasmissibile
 Theoretical transmitted torque
250 Nm



114-000-00142

Applicazione PTO UNI / POMPA SAE A - *Adaptor UNI PTO / SAE A PUMP*



Coppia teorica trasmissibile
 Theoretical transmitted torque
100 Nm