

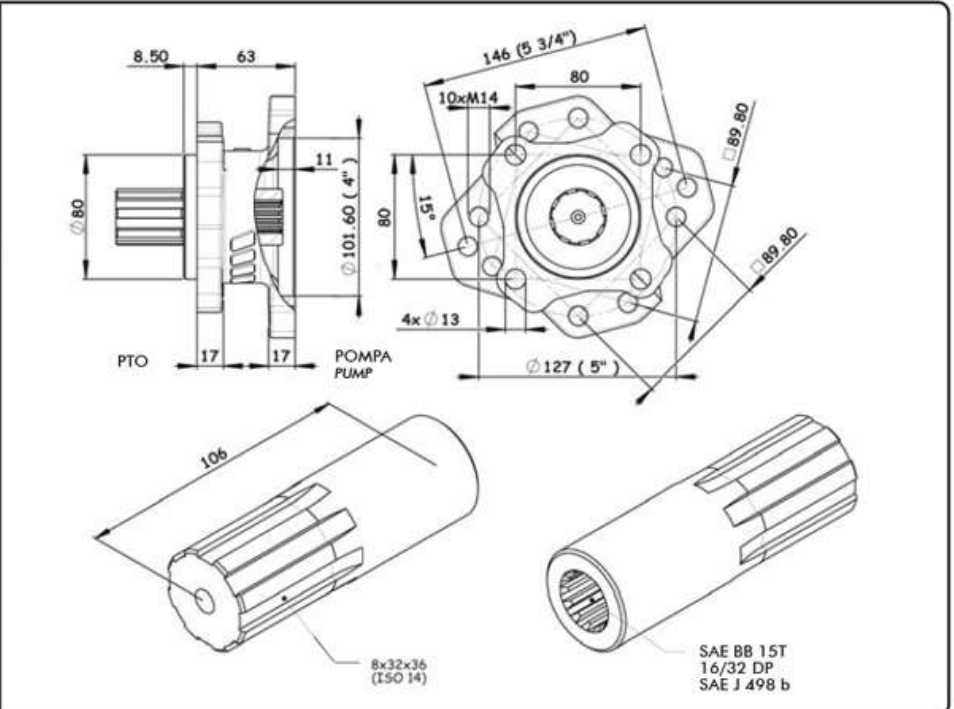
Переходник с насоса ISO на насос SAE C

114-000-11756

Applicazione PTO ISO / POMPA SAE BB - Adaptor ISO 4 BOLT PTO / SAE BB PUMP



Coppia teorica trasmissibile
 Theoretical transmitted torque
400 Nm

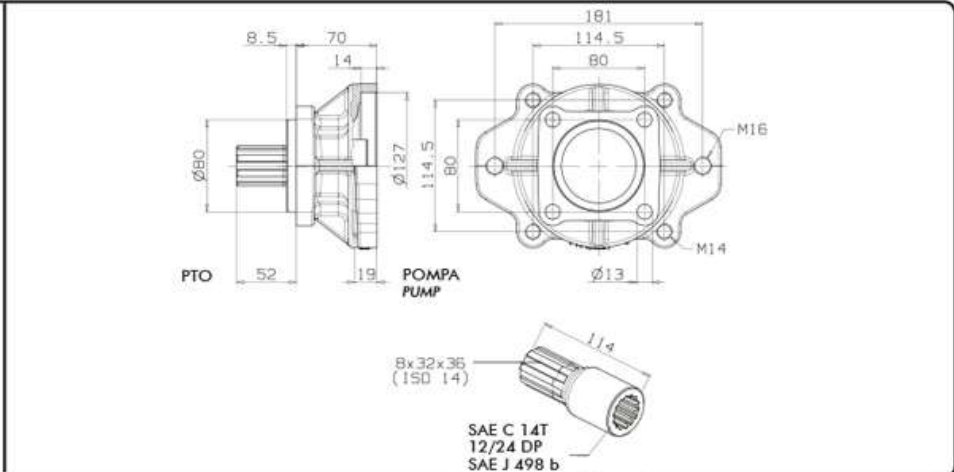


114-000-11827

Applicazione PTO ISO / POMPA SAE C - Adaptor ISO 4 BOLT PTO / SAE C PUMP



Coppia teorica trasmissibile
 Theoretical transmitted torque
800 Nm



114-000-11818

Applicazione PTO SAE C / POMPA ISO - Adaptor SAE C PTO / ISO 4 BOLT PUMP



Coppia teorica trasmissibile
 Theoretical transmitted torque
800 Nm

