

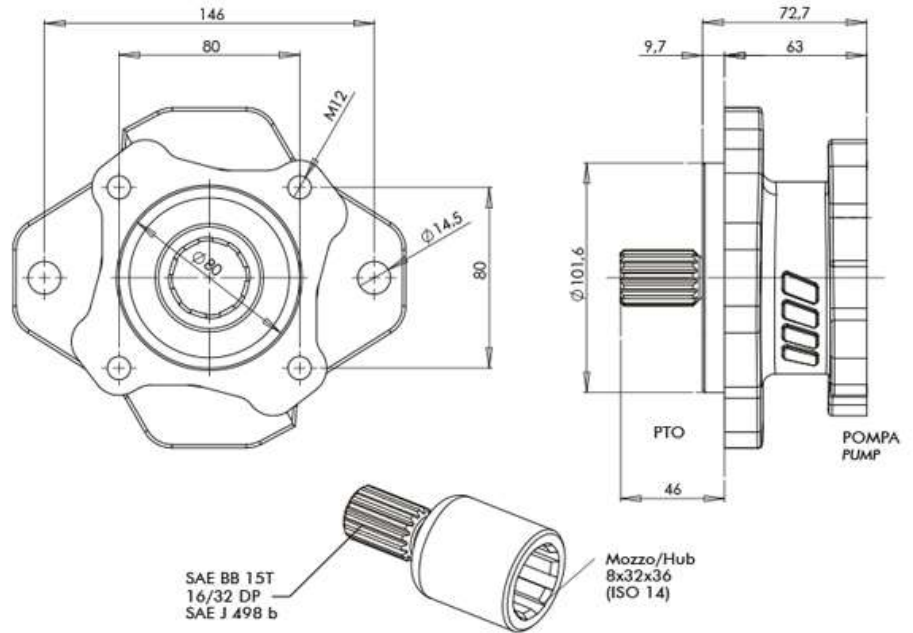
Переходник с насоса SAE BB на насос 13 DIN

**114-000-11872**

Applicazione PTO SAE BB / POMPA ISO - Adaptor SAE BB PTO / ISO 4 BOLT PUMP



Coppia teorica trasmissibile  
 Theoretical transmitted torque  
**400 Nm**

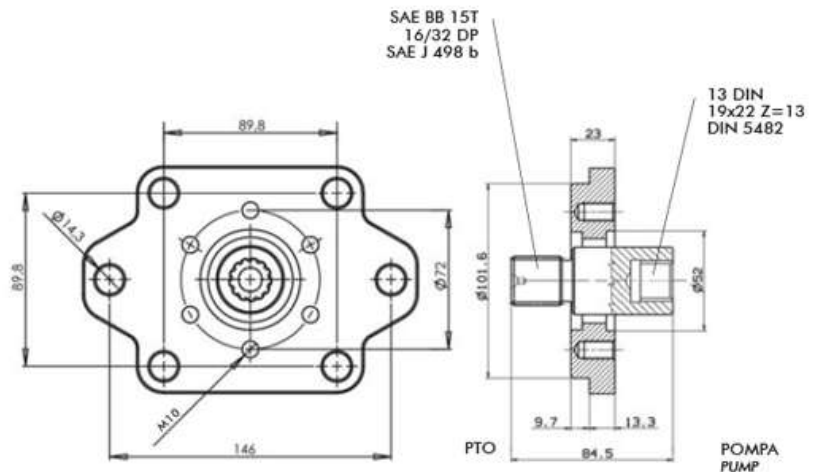


**114-000-11881**

Applicazione PTO SAE BB / POMPA 13 DIN - Adaptor SAE BB PTO / 13 DIN BOLT PUMP



Coppia teorica trasmissibile  
 Theoretical transmitted torque  
**250 Nm**



**114-000-00768**

Applicazione PTO SAE BB / POMPA UNI - Adaptor SAE BB PTO / UNI PUMP



Coppia teorica trasmissibile  
 Theoretical transmitted torque  
**400 Nm**

