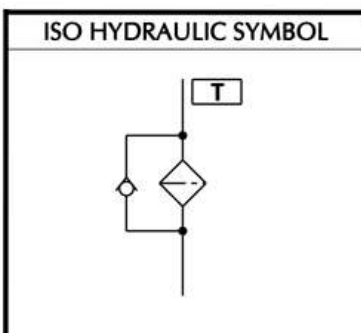
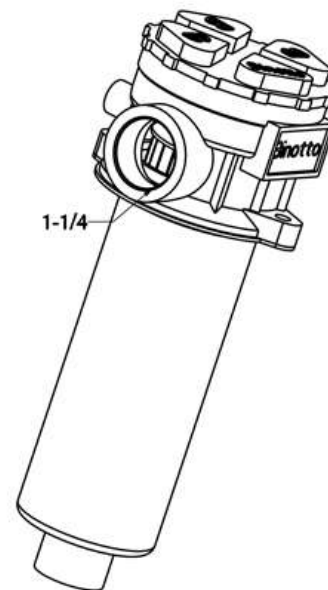
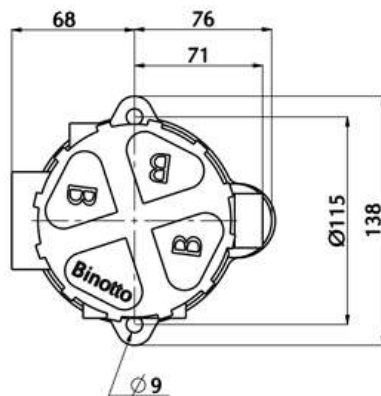
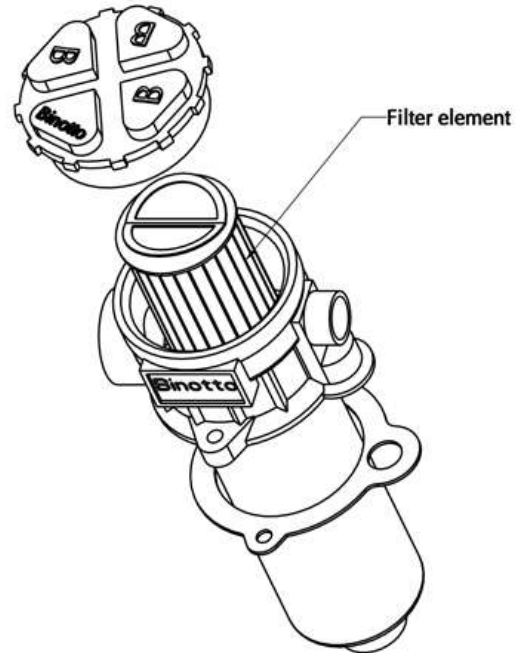
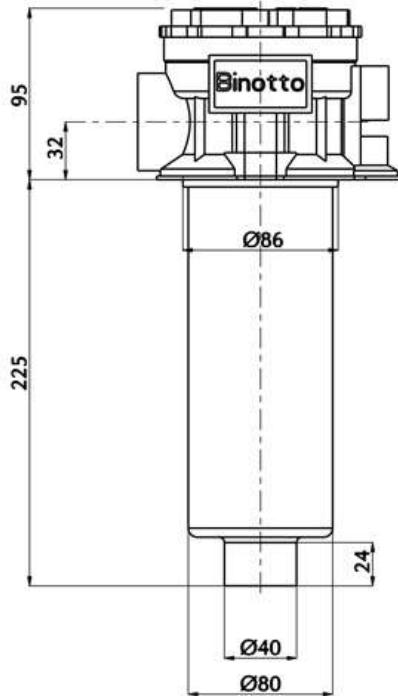


Сливной масляный фильтр в бак



Type:	Filter for installation on the return line. Semi-submerged in the tank. The filter is complete with by-pass valve.
Air displacement:	200 l/min
Filter:	25 μ m
Filter elements:	Inorganic microfiber with acrylic support
Weight:	1.16 Kg

BINOTTO S.R.L. IS CONSTANTLY ENGAGED IN IMPROVING ITS PRODUCTS AND THEREFORE RESERVES THE RIGHT TO MODIFY WITHOUT ANY NOTICE, DATA, CHARACTERISTICS AND PERFORMANCES SHOWN.