

Блокирующий клапан цилиндра

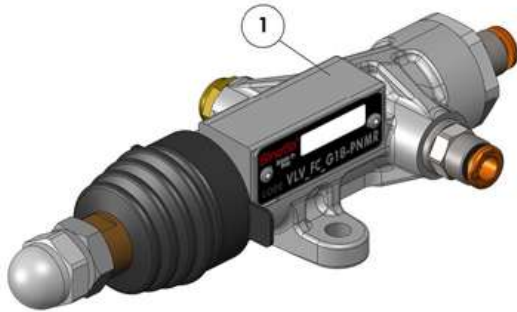


Fig.1

REF	DESCRIPTION ITEM	Q.TY
1	End of stroke valve	1

Tab.1

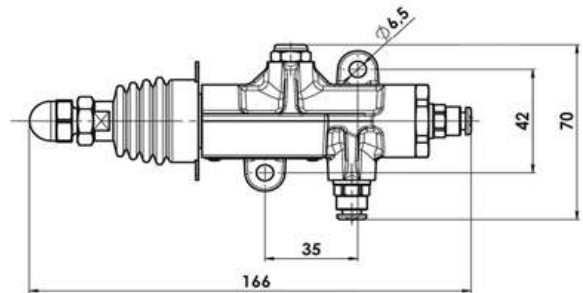


Fig.2

Maximum pressure	12 bar	
Temperature of use	-40° / +140°	
Actuation	Pneumatic	
Feed tube	Ø6 mm	
Utilization tube	Ø6 mm	

Tab.2

1. FUNCTIONAL DIAGRAM

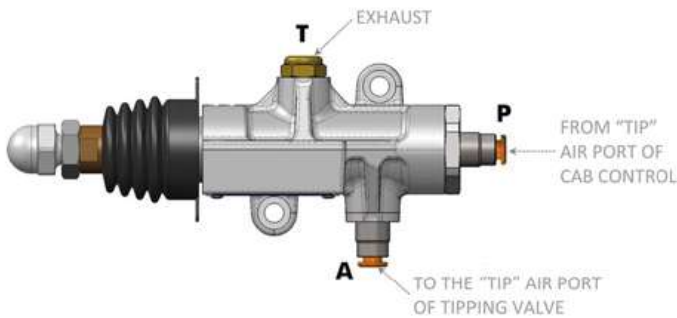


Fig.3

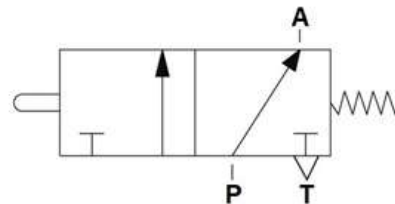


Fig.4

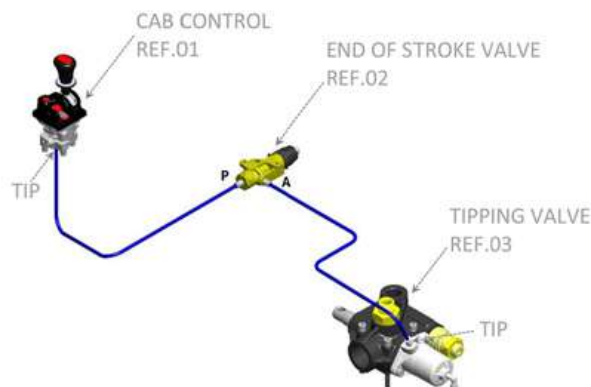


Fig.5