

THANKS FOR YOUR PREFERENCE TO BINOTTO!

# Binotto® MOUNTING INSTRUCTIONS HYDRAULIC PUMP

(order code: PMP#S7RI)

MI\_PMP#S7RI • Rev. A • 16 OCT 2015 • Pag.1

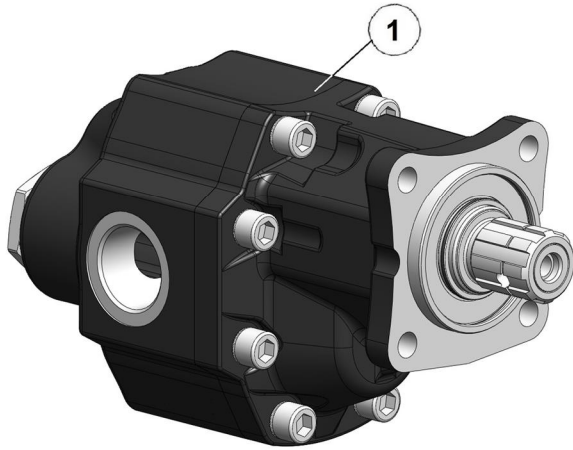


Fig.1

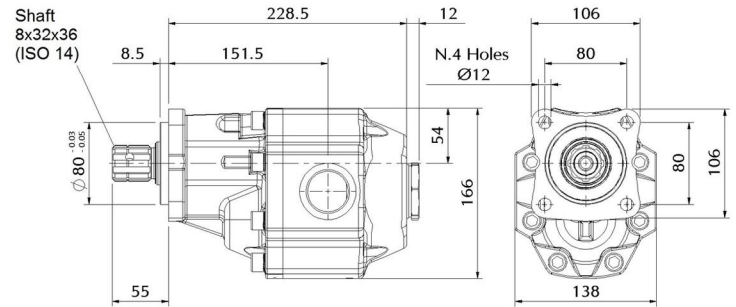


Fig.2

REF	DESCRIPTION ITEM	Q.TY
1	Hydraulic pump	1

Tab.1

Displacement [cm <sup>3</sup> /rev]	91.45	
Functioning	Gears	
Coupling	DIN 5462 8x32x36	
Direction of rotation	Bidirectional	
IN port	1 1/4" BSP	
OUT port	1 1/4" BSP	
Max. continuous press. [bar]	230	
Max. intermittent press. [bar]	250	
Max. peak press. [bar]	265	
Max. continuous speed [rpm]	1800	
Weight [Kg]	19.5	

Tab.2

## 1. FUNCTIONAL DIAGRAM

### 1.1 ANTI-CLOCKWISE ROTATION, LEFT PUMP

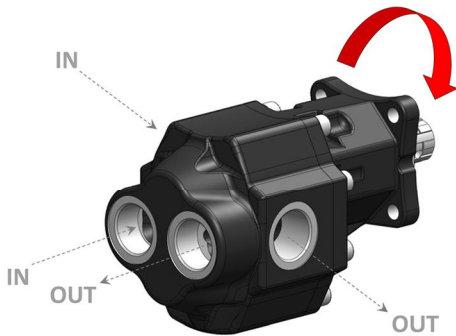


Fig.3

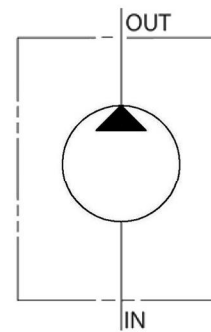


Fig.5

### 1.2 CLOCKWISE ROTATION, RIGHT PUMP

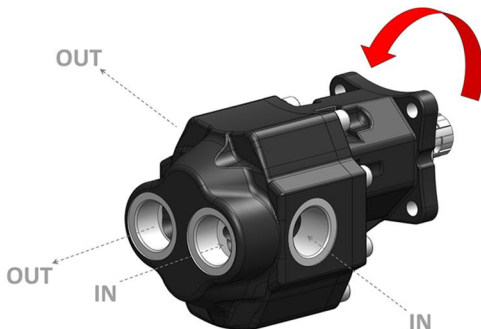
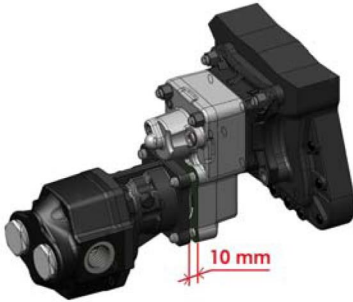


Fig.4

Complete instruction manuals and video aided instructions are available on [www.binotto.com](http://www.binotto.com). Register on-line to access to the Operators' Reserved Area. Subject to change without notice.

**2. INSTRUCTIONS FOR DIRECT MOUNT PUMP-PTO**

To prevent splines from wear please grease pump shafts and / or couplings.



2.1 – Mount the pump on the PTO interposing the gasket supplied with the PTO. Keep the pump away from the PTO of 10mm as shown

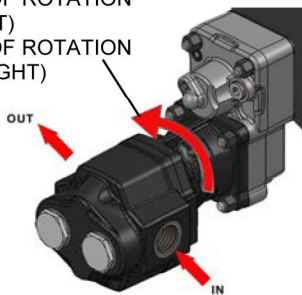


2.2 - Screw the 4 nuts interposing the washers for a few mm to prevent the pump from falling accidentally



2.3 - Push the pump against the PTO and fully tighten the 4 nuts with a torque of 30Nm

DIRECTION OF ROTATION OF PTO (LEFT)  
 DIRECTION OF ROTATION OF PUMP (RIGHT)



**ALWAYS CHECK SUCTION SIZE WITH PTO RPM - PUMP OUTPUT**



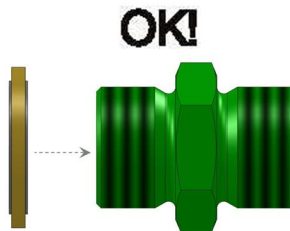
PAY ATTENTION TO RESPECT IN/OUT OF PUMP IN RELATION WITH THE DIRECTION OF ROTATION OF THE PTO (SEE FIG.3-4).



**ALWAYS USE FITTINGS WITH CYLINDRIC THREAD (SEE FIG.6-7-8)**



**Fig.6**  
**MOUNTING OF FITTINGS**



**Fig.7**  
**CYLINDRIC THREAD**



**Fig.8**  
**CONICAL THREAD**

**3. MAINTENANCE**

- To prevent splines from wear please grease pump shafts and / or couplings.
- Grease the splined shaft before installation. Do not tap the gear wheel into position. Lock the gear wheel with the circlip provided with the PTO, bolt pump and PTO together.