

THANKS FOR YOUR PREFERENCE TO BINOTTO!

Binotto® MOUNTING INSTRUCTIONS HYDRAULIC PUMP

(order code: PMP_S8RI)

MI_PMP_S8RI • Rev. A • 19 OCT 2017 • Pag.1

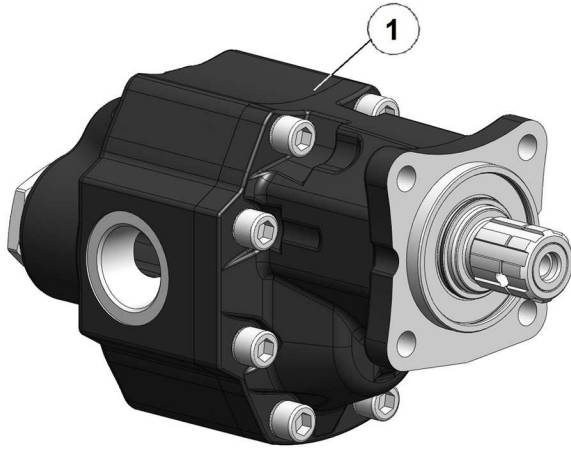


Fig.1

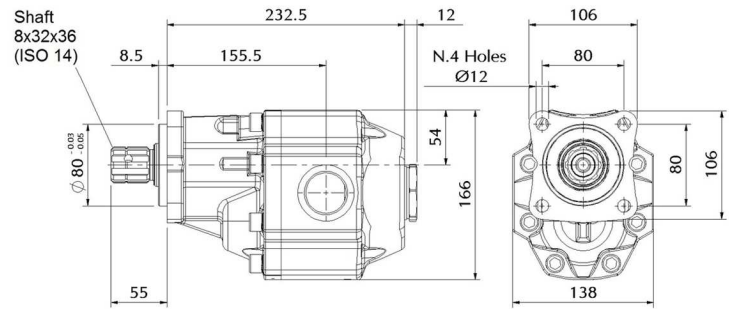


Fig.2

REF	DESCRIPTION ITEM	Q.TY
1	Hydraulic pump	1

Tab.1

Displacement [cm ³ /rev]	99.77	
Functioning	Gears	
Coupling	DIN 5462 8x32x36	
Direction of rotation	Bidirectional	
IN port	1 1/4" BSP	
OUT port	1 1/4" BSP	
Max. continuous press. [bar]	220	
Max. intermittent press. [bar]	240	
Max. peak press. [bar]	255	
Max. continuous speed [rpm]	1800	
Weight [Kg]	18,7	

Tab.2

1. FUNCTIONAL DIAGRAM

1.1 ANTI-CLOCKWISE ROTATION, LEFT PUMP

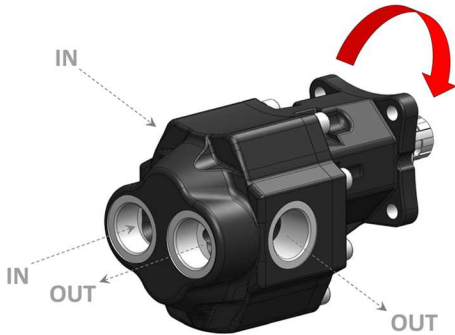


Fig.3

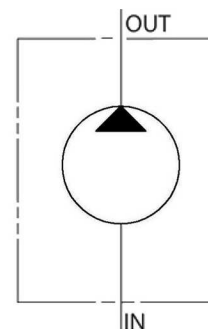


Fig.5

1.2 CLOCKWISE ROTATION, RIGHT PUMP

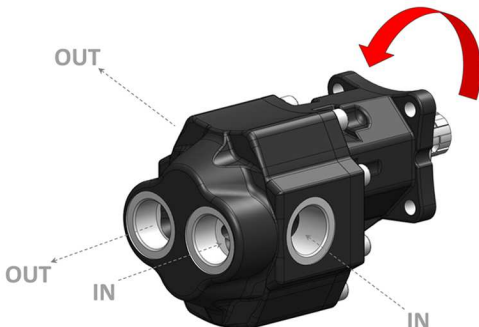
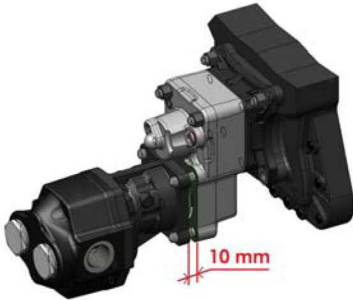


Fig.4

Complete instruction manuals and video aided instructions are available on www.binotto.com. Register on-line to access to the Operators' Reserved Area. Subject to change without notice.

2. INSTRUCTIONS FOR DIRECT MOUNT PUMP-PTO

To prevent splines from wear please grease pump shafts and / or couplings.



2.1 – Mount the pump on the PTO interposing the gasket supplied with the PTO. Keep the pump away from the PTO of 10mm as shown

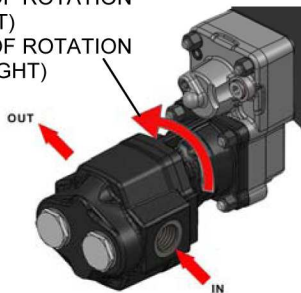


2.2 - Screw the 4 nuts interposing the washers for a few mm to prevent the pump from falling accidentally



2.3 - Push the pump against the PTO and fully tighten the 4 nuts with a torque of 30Nm

DIRECTION OF ROTATION OF PTO (LEFT)
 DIRECTION OF ROTATION OF PUMP (RIGHT)



ALWAYS CHECK SUCTION SIZE WITH PTO RPM - PUMP OUTPUT



PAY ATTENTION TO RESPECT IN/OUT OF PUMP IN RELATION WITH THE DIRECTION OF ROTATION OF THE PTO (SEE FIG.3-4).



ALWAYS USE FITTINGS WITH CYLINDRIC THREAD (SEE FIG.6-7-8)



Fig.6
MOUNTING OF FITTINGS

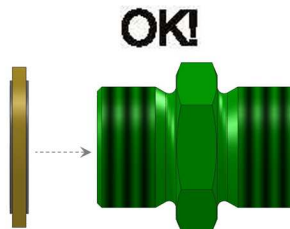


Fig.7
CYLINDRIC THREAD



Fig.8
CONICAL THREAD

3. MAINTENANCE

- To prevent splines from wear please grease pump shafts and / or couplings.
- Grease the splined shaft before installation. Do not tap the gear wheel into position. Lock the gear wheel with the circlip provided with the PTO, bolt pump and PTO together.