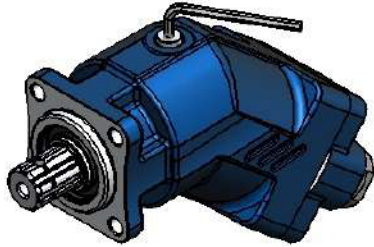


POMPE A PISTONI AD ASSE INCLINATO BENT AXIS PISTON PUMPS

REMOVE THE PLUG



PLEASE FILL IT WITH OIL BEFORE OPERATING THE PUMP

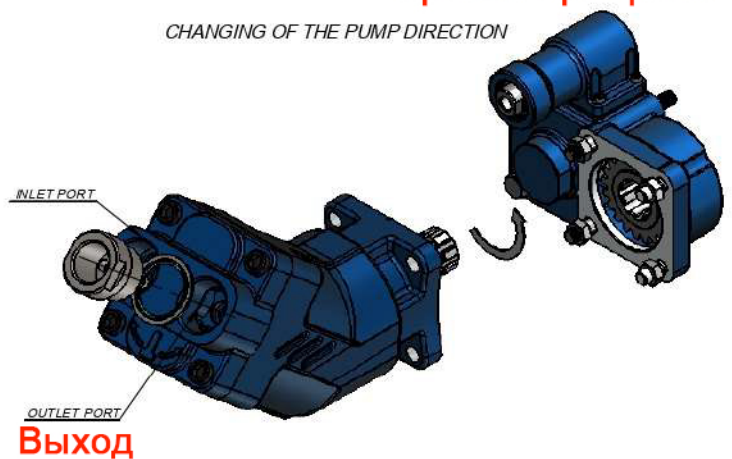
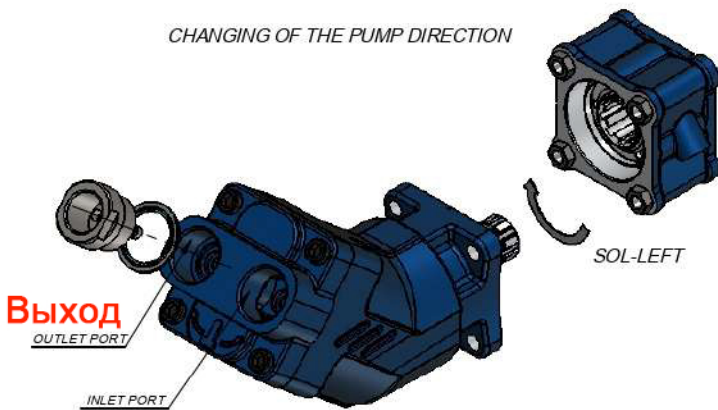


Левое вращение

Правое вращение

CHANGING OF THE PUMP DIRECTION

CHANGING OF THE PUMP DIRECTION



1. -THE PLACE WHERE THE RACCORD IS. OUTLET PORT AND IT DETERMINES THE DIRECTION OF ROTATION.
2. SUPPOSE THAT THE INLET PORT IS OPEN AND TAKES THE AIR. WHEN THE PUMP IS RUN BY THE MINERAL OIL AT 0.8 BAR, THE TECHNICAL DATA DECREASE DUE TO THE OPEN INLET PORT, INCLUDING 3% LACKING OF FLOW.
3. PLEASE BE SURE TO CHECK THE DIRECTION OF THE PUMP BEFORE INSTALLATION.

Tightening Torque Of The Plugs

G1/2"	55-65Nm
G3/4"	90-100Nm
G1"	135-160Nm
G1 1/4"	200-230Nm

Code	Displacement (cm ³ /rev)	Max.Continuous Pressure	Max.Peak pressure	Max. speed (RPM)		A (mm)	B (mm)	C (mm)	D (mm)	E (mm)	F (mm)	G (mm)
				nom	max							
AP023SF111 AP023SF121	23	350	400	3050	4300	180	58	G3/4"	G1/2"	89	89	52
AP032SF111 AP032SF121	32			2750	3900							
AP045SF111 AP045SF121	45			2650	3800	210	78	G1"	G3/4"	108,70	108,70	59
AP056SF111 AP056SF121	56			2550	3700	218	80			110,50	108	64
AP063SF111 AP063SF121	63			2200	3200					110,50	108	64
AP080SF111 AP080SF121	80			2150	3100	245	94	G1 1/4"	G1"	127	118	69
AP107SF111 AP107SF121	107			2000	2800	255				131,60	130	77
AP125SF111 AP125SF121	125			1750	2500					131,60	130	77

pag.1

Binotto srl

We reserve the right to make any changes without notice.

Edition 2016.10 No reproduction, however partial, is permitted.

Via Divisione Julia 7/B.36010 Dueville (Vicenza) Italy Tel.: +39 0444593290
Fax: +39 0444593357 Internet:www.binotto.com e-mail:info@binotto.com